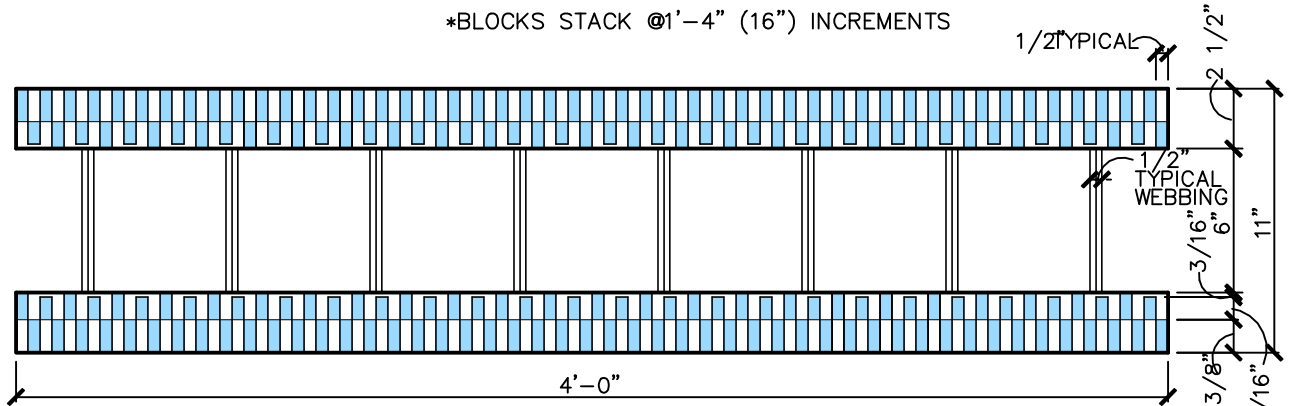


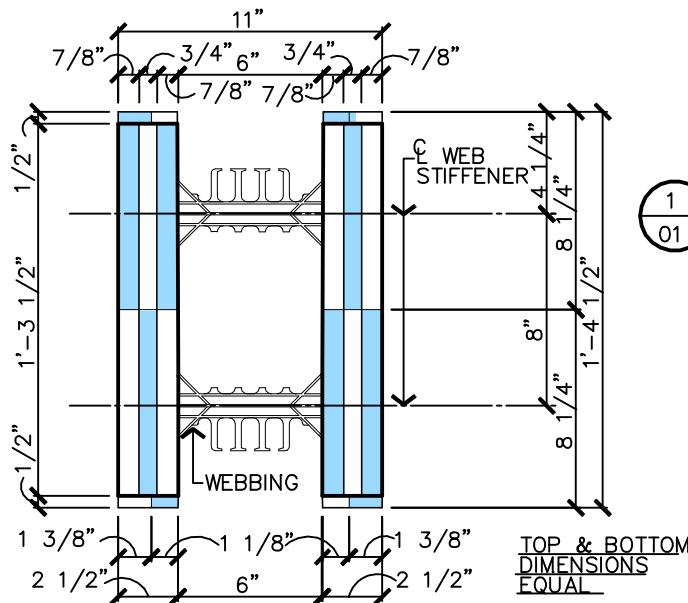
3 FRONT VIEW
SCALE: 1 1/2" = 1'-0"

NOTE:

- * FORM IS REVERSIBLE BOTH VERTICALLY AND HORIZONTALLY
- * BLOCKS STACK @ 1'-4" (16") INCREMENTS



2 TOP / BOTTOM VIEW (REVERSIBLE)
SCALE: 1 1/2" = 1'-0"



1 SIDE VIEW
SCALE: 1 1/2" = 1'-0"

LEGEND

- [Blue shaded area] = POSITIVE PROFILES (TOUNGES)
- [White area] = NEGATIVE PROFILES (GROOVES)

NOTE:

DUE TO VARIATIONS IN SELECTED PRINTER SETTINGS, NOTED SCALES MAY NO LONGER BE APPLICABLE

9701 N. Broadway Extension
Oklahoma City, Oklahoma 73114
www.buildblock.com

Office (405) 840-3386
Fax (405) 840-0625
Toll Free 1-866-222-2575

6" STRAIGHT BLOCK

DATE / REVISION	3-12-07 / 2	DETAIL SHEET
SCALE	AS NOTED	01
FILE NAME	BBDTL-01.AEC	

Construction shall be built in accordance with all applicable local and national building codes. All drawings are subject to change without notice.