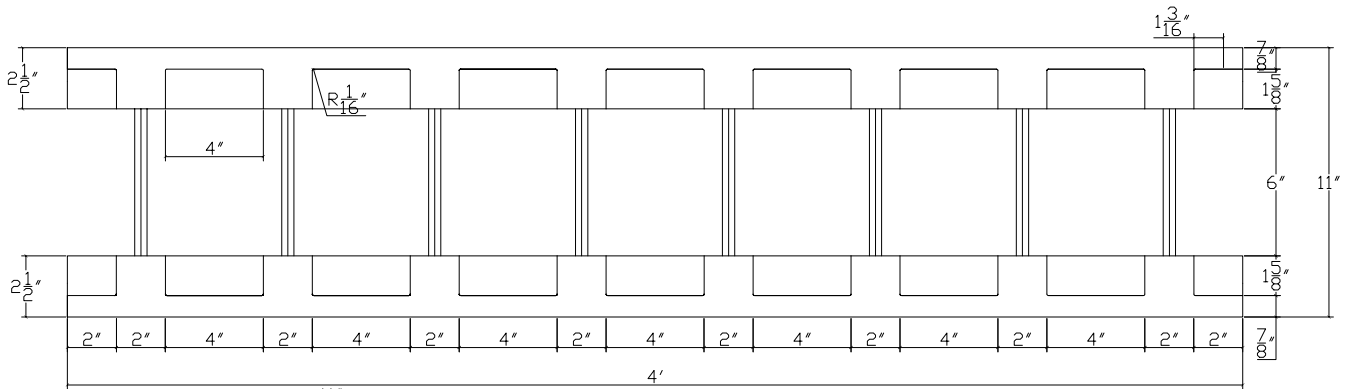
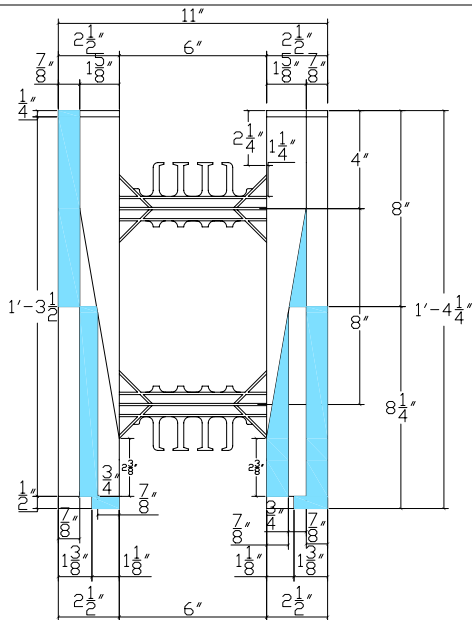


3 FRONT VIEW  
01 SCALE: 1 1/2" = 1'-0"

\*BLOCKS STACK @1'-4" (16") INCREMENTS



2 TOP / BOTTOM VIEW  
01 (REVERSIBLE)  
SCALE: 1 1/2" = 1'-0"



1 SIDE VIEW  
01 SCALE: 1 1/2" = 1'-0"

LEGEND

- = POSITIVE PROFILES (TONGUES)
- = NEGATIVE PROFILES (GROOVES)

NOTE:

THE BLUE AREA INSIDE THE RED IS SOLID BELOW THE RED



9701 N. Broadway Extension  
Oklahoma City, Oklahoma 73114  
www.buildblock.com

Office (405) 840-3386  
Fax (405) 840-0625  
Toll Free 1-866-222-2575

6" TAPER TOP BLOCK

DATE / REVISION	11-06-06 /	DETAIL SHEET
SCALE	AS NOTED	5b
FILE NAME		

Construction shall be built in accordance with all applicable local and national building codes. All drawings are subject to change without notice.