

GRADE LEVEL
(1ST FLOOR OR
ADDITIONAL STORIES)

CAST EMBEDDED STEEL ANCHOR BOLTS – APPLIES TO 6” OR 8” WALLS – SIZE & FREQUENCY PER ENGINEERING SPECIFICATIONS OR SIM. TO PRESCRIPTIVE METHOD FIGURE 6.1 & 6.5 CONTAINED IN THE H.U.D. P.A.T.H. DOCUMENTATION. A LINK IS PROVIDED IN THE TECHNICAL SECTION OF OUR WEBSITE UNDER CODE COMPLIANCE

"BuildBlock"

6" I.C.F. UNITS
1ST FIN. FLR. ELEV. 100'-0" (DATUM)
6" MIN. (VERIFY CODE APPROVED GRADE CLEARANCE FOR PROJECT LOCATION)

FLOOR SYSTEM PER CONSTRUCTION DRAWINGS

DOWELS SUPPORTING UPPER VERTICAL REINFORCEMENT

"BuildBlock"

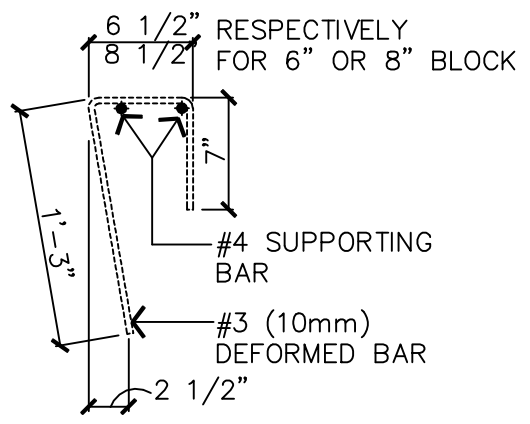
8" TAPER TOP I.C.F. UNITS
APPROVED MEMBRANE WATER PROOFING

APPROVED JOIST HANGER
15 MIN THERMAL BARRIER OR 1/2" GYPSUM BOARD

BASEMENT

"BuildBlock"

8" I.C.F. UNITS



1 SECTION DETAIL
55 SCALE: 1" = 1'-0"

2 STIRRUP DETAIL
55 SCALE: 1" = 1'-0"

NOTES:

- VARIATIONS IN IMPOSED LIVE & DEAD LOADS AND OTHER APPLICATION SPECIFIC VARIABLES REQUIRE ALL ASPECTS OF THE DETAILS SHOWN HERE TO BE DESIGNED AND /OR APPROVED BY A QUALIFIED ENGINEER
- ALL CONSTRUCTION SHALL BE IN ACCORDANCE W/ THE SPECIFICATION OF AND THE RESPONSIBILITY OF A QUALIFIED STRUCTRUAL ENGINEER.

- MINIMUM SPACING:
- VENEER – 1000 lb/ft (15kN/m @ 18" (450mm)
 - VENEER – 1500 lb/ft (22kN/m @ 12" (300mm)

NOTE:
DUE TO VARIATIONS IN SELECTED PRINTER SETTINGS, NOTED SCALES MAY NO LONGER BE APPLICABLE

9701 N. Broadway Extension
Oklahoma City, Oklahoma 73114
www.buildblock.com

Office (405) 840-3386
Fax (405) 840-0625
Toll Free 1-866-222-2575

TAPER UNIT & LEDGE CONNECTION 3

DATE / REVISION	09-30-07 / 2	DETAIL SHEET
SCALE	AS NOTED	55
FILE NAME	BBDTL-55.AEC	

Construction shall be built in accordance with all applicable local and national building codes. All drawings are subject to change without notice.